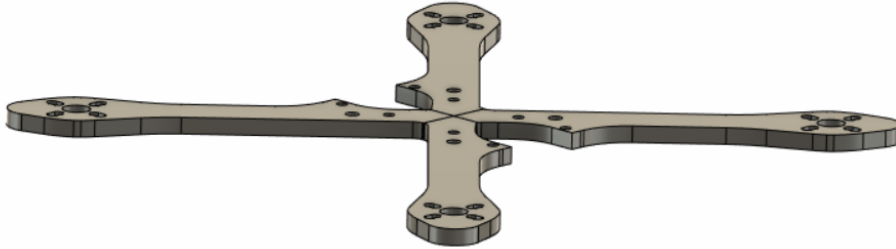
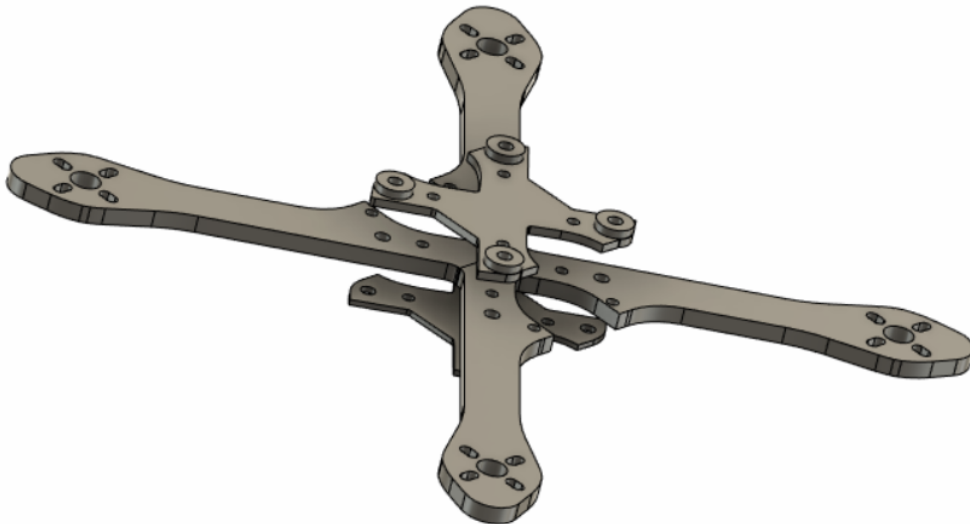


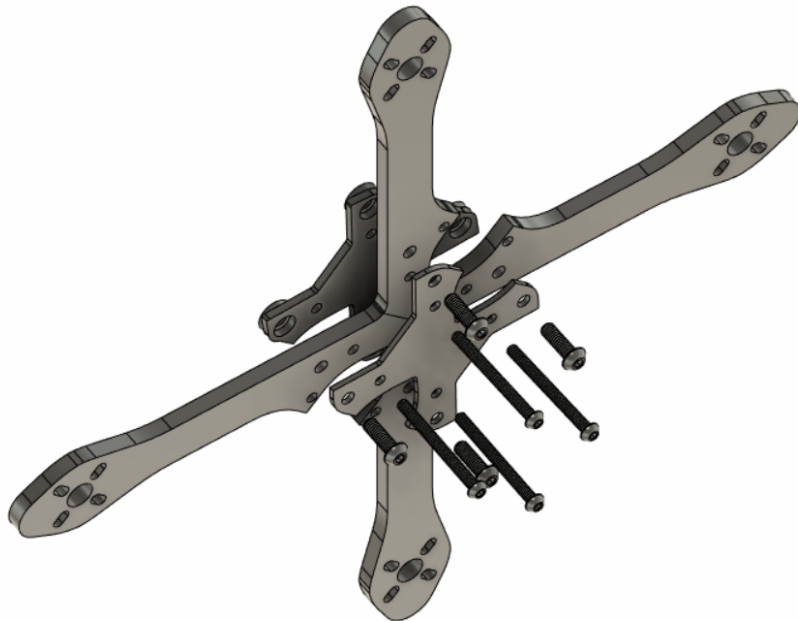
Dquad Micro Obsession - Frame Assembly Manual



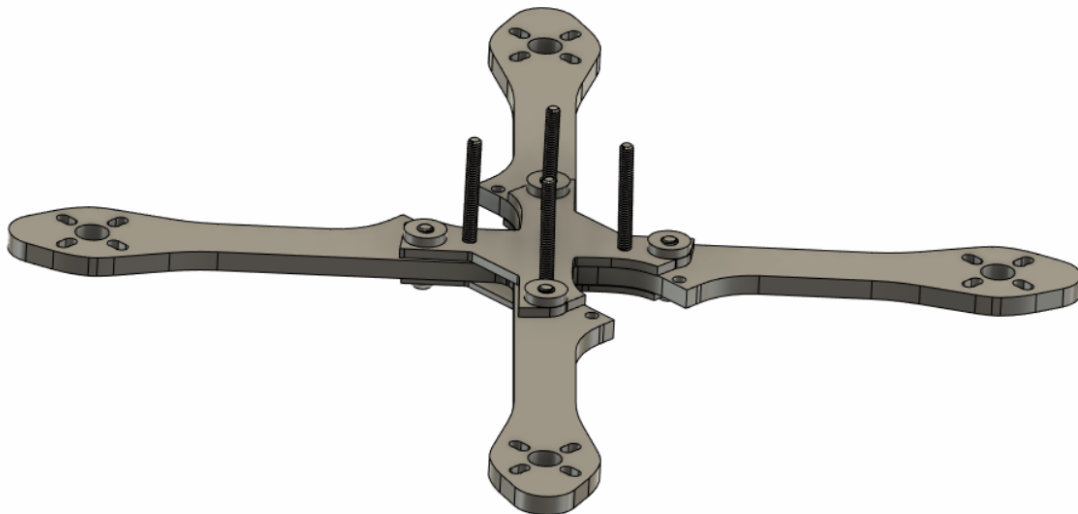
Bring the 4 arms together.



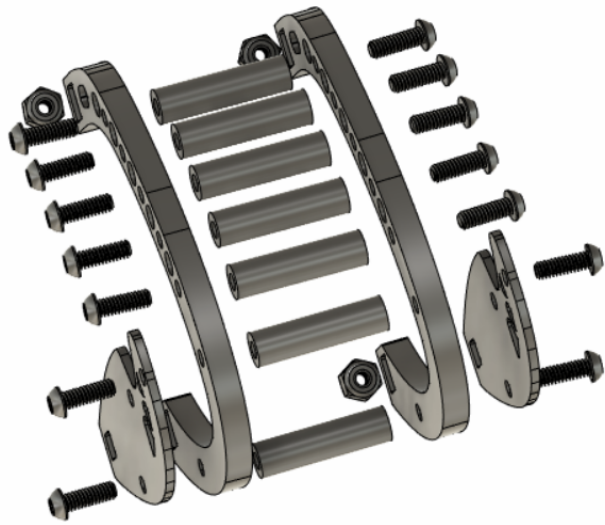
Sandwich the arms between the main plate and bottom plate.



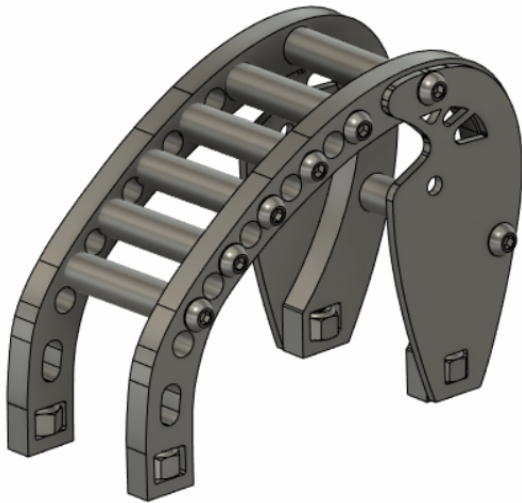
Bolt the arm assembly together with four m2.5x7mm bolts and then install the four m2x22mm stack bolts.



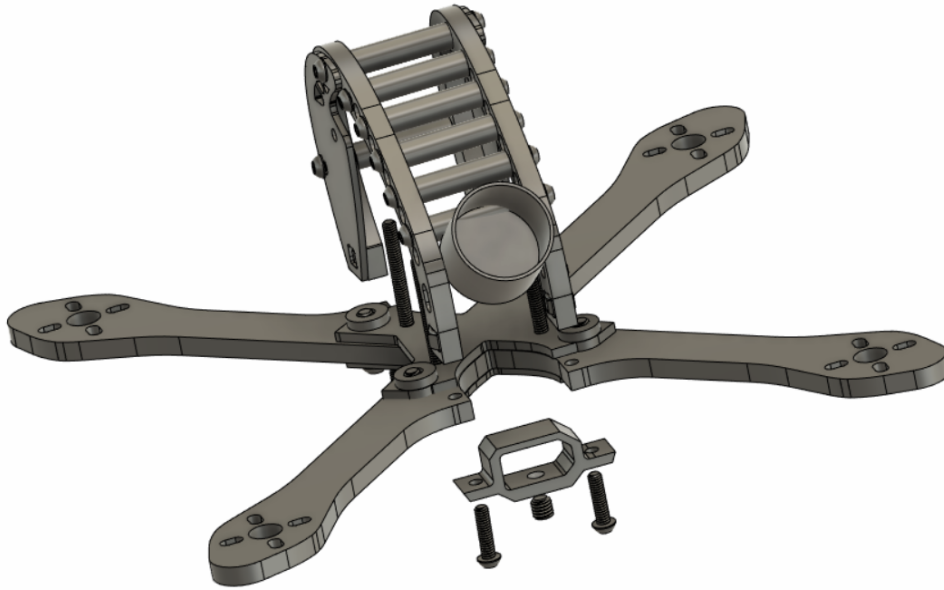
Now you can build your flight controller stack and figure out how you will attach the xt30 to the esc. You will also want to install the micro axii shorty vtx antenna into the provided vtx mount at this time.



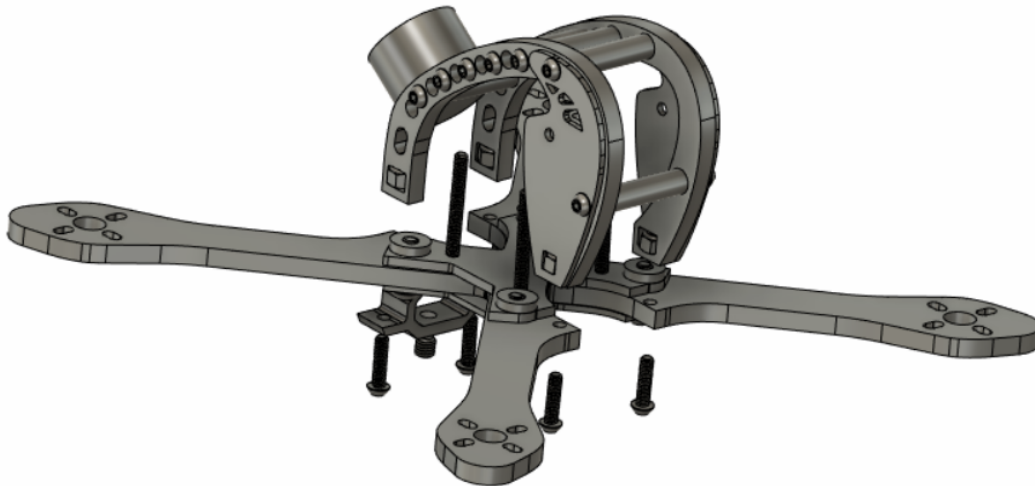
Assemble the cage assembly with 14 m2x6mm bolts, seven m2x15mm standoffs and insert four nyloc nuts into the cutouts. It is not necessary to use all of the m2 standoffs. For instance if you need to achieve a high fpv camera angle you can remove the m2 standoff above the camera.



Mount the fpv camera between the camera plates.
You're getting close!



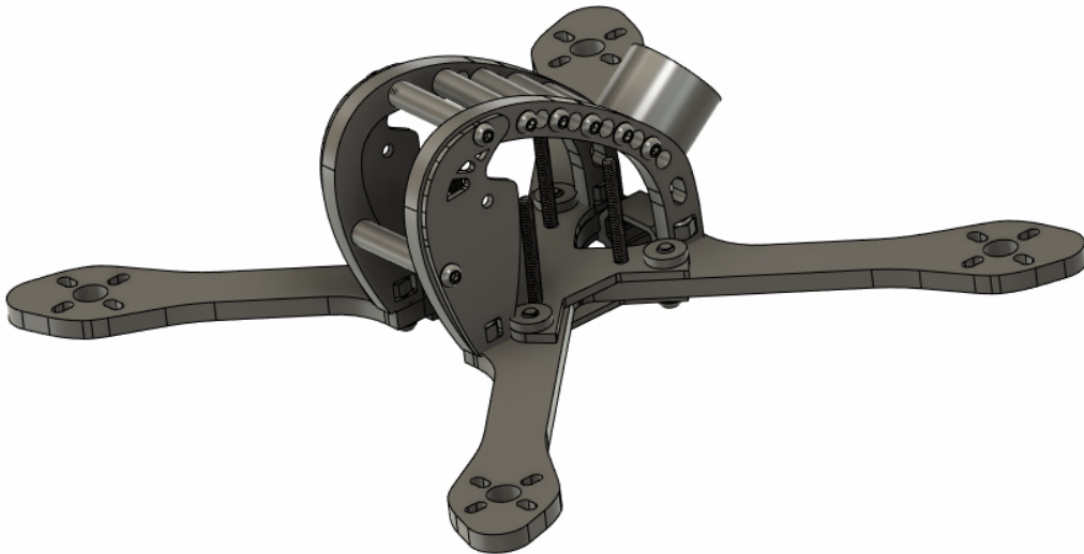
Now slip the aluminum xt30 mount over the xt30 connector which is now connected to your esc. Be sure to add a drop of blue thread lock to the m3x2mm grub screw and lock the xt30 in place.



Now secure the cage to the arm assembly using two m2x8mm and two m2x10mm bolts



Mount the micro axii here.



You're finished, Go fly! Enjoy!