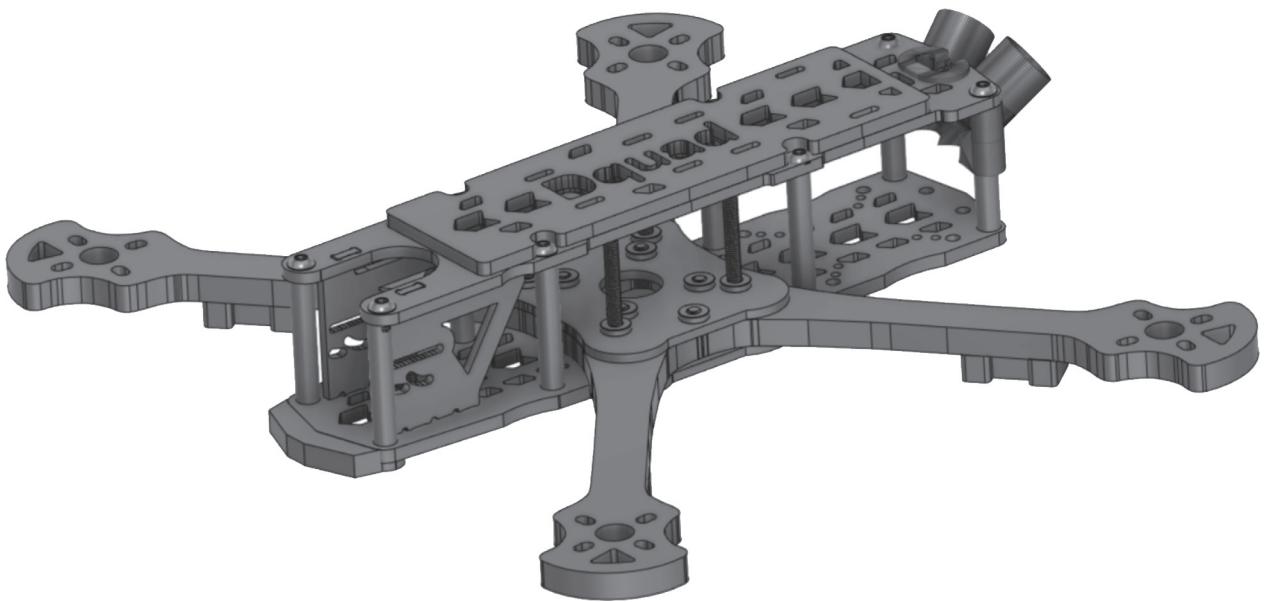


DquadTM *PERFECTION*



ASSEMBLY GUIDE

PERFECTION 5 INCH ASSEMBLY INSTRUCTIONS

INCLUDED PARTS:

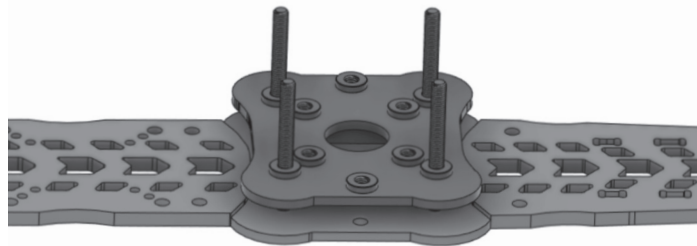
- (1) Camera plate - 2mm carbon fiber - DJI O3
- (2) Camera plate - 2mm carbon fiber - Walksnail and all micro cameras
- (1) Bottom plate - 3mm carbon fiber
- (1) Squash plate - includes six press nuts inserted - 2.5mm carbon fiber
- (1) Top plate - 2.5mm carbon fiber
- (4) 5.3 inch arm - 6mm carbon fiber
- (4) M3x30mm button head bolts - flight controller
- (6) M3x12mm button head bolts
- (16) M3x6mm button head bolts
- (8) M3x28x5mm aluminum standoffs - black
- (2) Large Dquad lipo strap
- (1) Lite grip lipo pad
- (4) 3m dogbone landing pads
- (1) Perfection sticker
- (1) Front bumper - TPU
- (1) Power wire insert - TPU

For the best flight performance and to prevent premature carbon fiber failure, it is recommended to follow the assembly instructions and to apply medium threadlocker to and adequately tighten all frame bolts.

STEP_01

ATTACH THE SQUASH PLATE TO THE BOTTOM PLATE

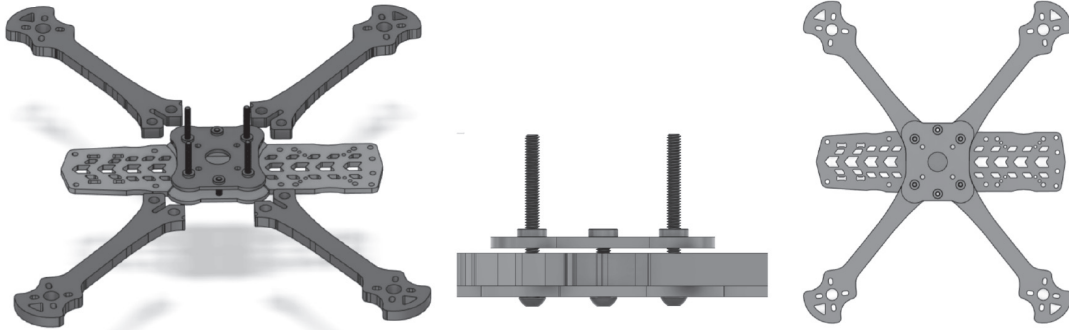
If you are using a 30x30 stack use the M3x30mm button head bolts and thread them up through the bottom plate and loosely attach the squash plate. If you are using a 20x20 stack use the M3x12mm button head bolts in this step with a drop of medium threadlocker on each.



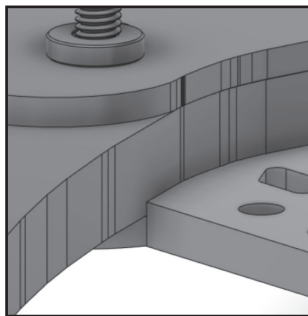
STEP_02

MOUNT THE ARMS TO THE BOTTOM PLATE

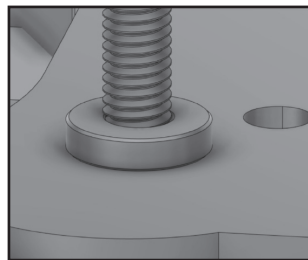
Bring the four arms together and seat them into the milled arm channel on the bottom plate. Leave the squash plate slightly loose so the arms can be easily positioned into the arm channel. Evenly tighten the 4 bolts until the arms are fully seated into the arm channel.



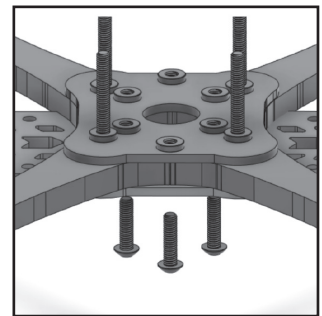
If you are finding it difficult to fully seat an arm, due to carbon fiber manufacturing tolerances it may be necessary to lightly file the edge of the arm where it meets the bottom plate milled channel. Now that the arms are seated and the squash plate is tight, apply a drop of threadlocker where the bolt threads meet the press nut. Then back each bolt out a couple of turns and then adequately re-tighten them. Now install two M3x12mm bolts with a drop of threadlocker on each to finish off the arm installation.



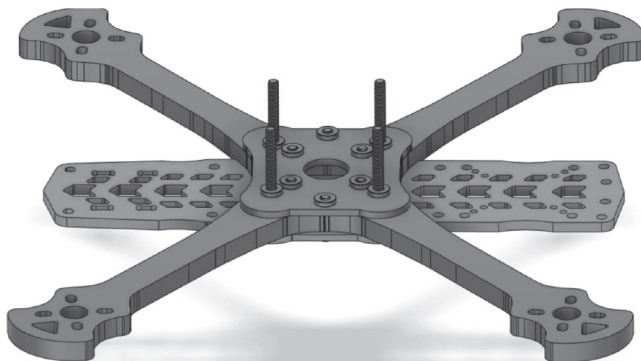
FULLY SEATED ARM



APPLY THREADLOCKER



INSTALL TWO M3X12MM BOLTS

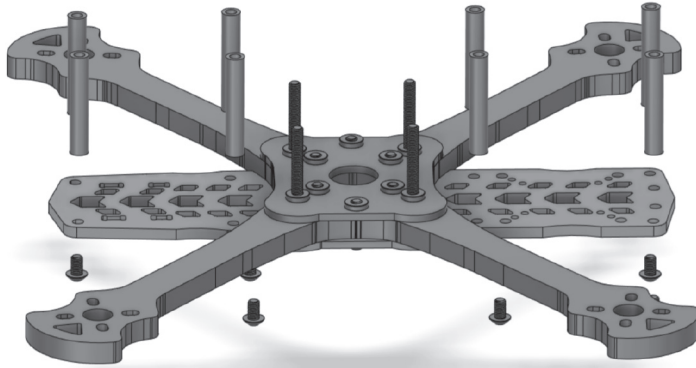


COMPLETED ARM INSTALLATION

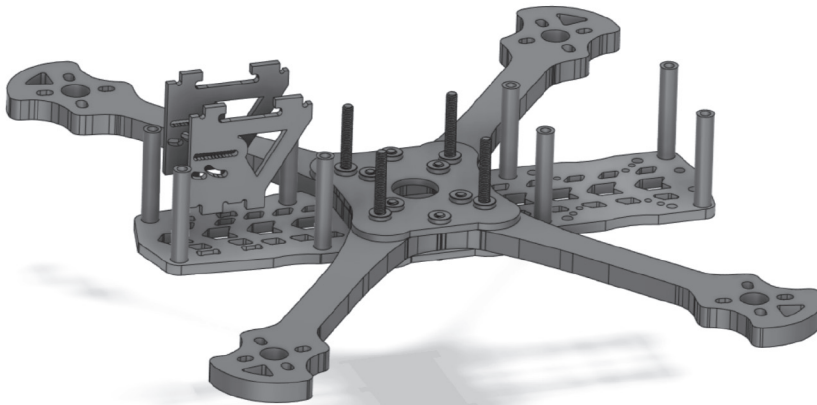
STEP_03

INSTALL STANDOFFS AND CAMERA PLATES

Use eight M3x6mm button head bolts. Apply a drop of threadlocker to each and bolt the eight aluminum standoffs to the bottom plate.



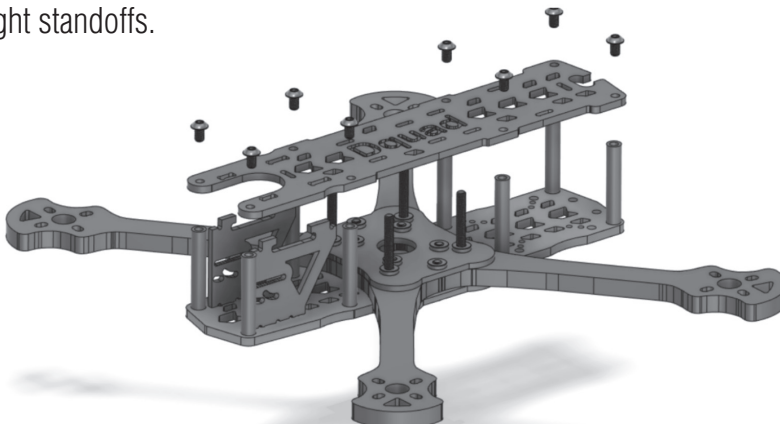
Install the camera plates in the camera slots located on the bottom plate.



STEP_04

INSTALL THE TOP PLATE

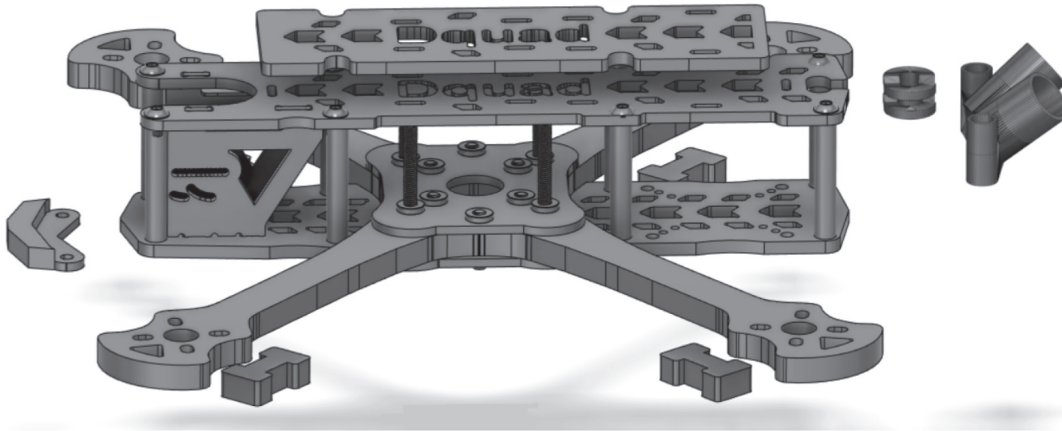
Use eight M3x6mm button head bolts. Apply a drop of threadlocker to each and bolt the top plate to the eight standoffs.



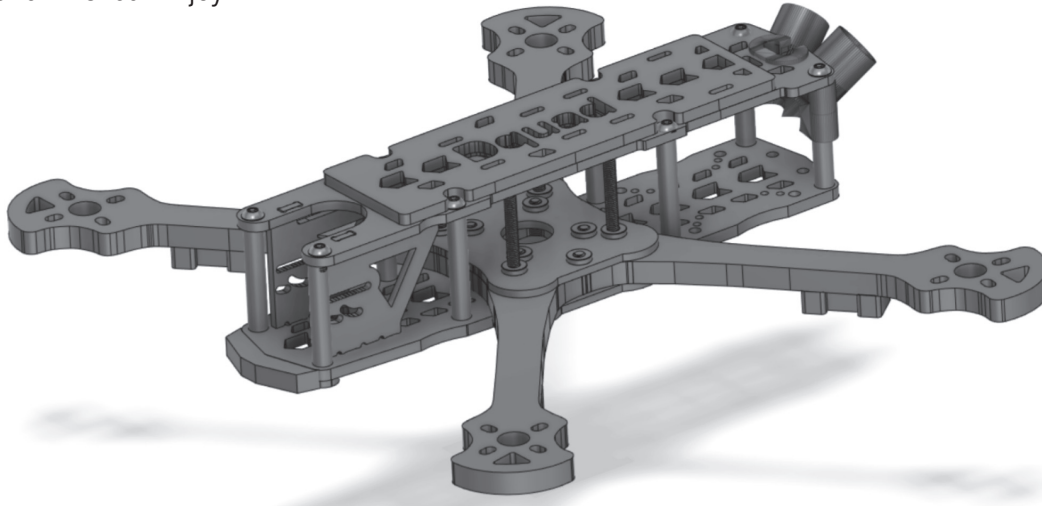
STEP_05

INSTALL ACCESSORIES

You can now install the front bumper, landing pads, power cable insert and the lipo pad. Remove the two rear standoffs and install the VTX antenna mount.



You're finished. Enjoy!



- Check out www.dquad.net for over 100 downloadable free 3d files.
- To restore the Lite Grip lipo pad surface to new condition, wipe off with a damp cloth.
- Arm replacement procedure-Remove the M3x12mm bolt on the side of the broken arm. Slightly loosen the five remaining bolts until the arm is able to be pulled free. There is no need to remove the Flight controller bolts. After the new arm is installed add a drop of threadlock to the bolts and adequately re-tighten them.