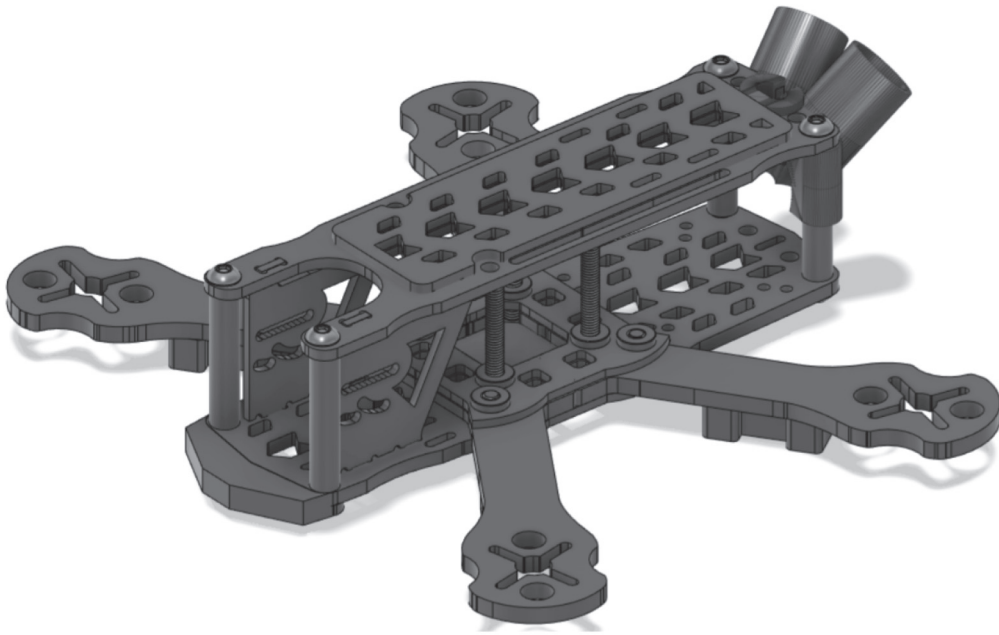


DquadTM

MINIPERFECTION



ASSEMBLY GUIDE

PERFECTION MINI 3 INCH ASSEMBLY INSTRUCTIONS

INCLUDED PARTS:

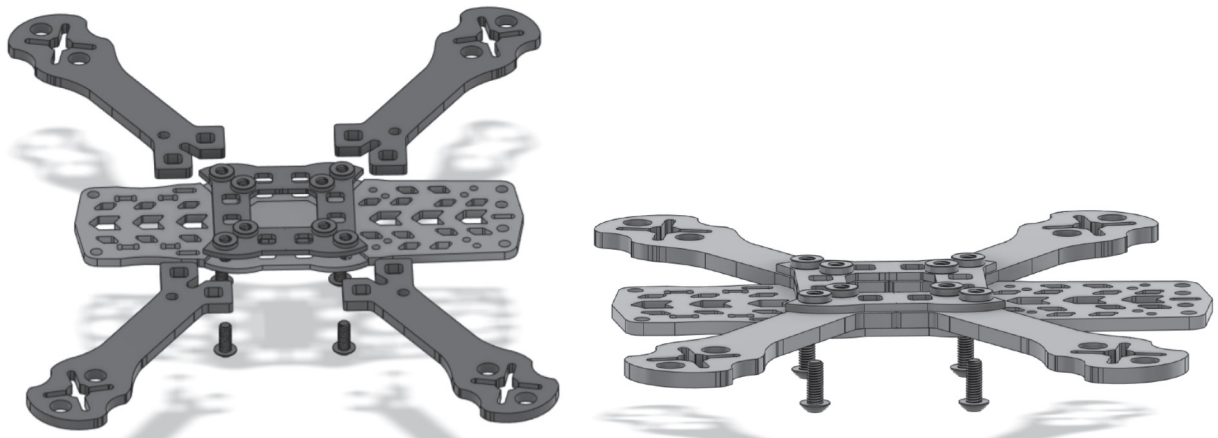
- (2) Camera plate - 1.5mm - DJI O3
- (2) Camera plate - 1.5mm - Walksnail and all micro cameras
- (1) Bottom plate - 2.5mm
- (4) 3 inch arm - 3mm
- (1) Squash plate with eight press nuts inserted - 1.5mm
- (1) Top plate - 2mm
- (4) M3x25mm button head bolts
- (4) M3x8mm button head bolts
- (8) M3x5mm button head bolts
- (4) M3x25x5mm aluminum standoffs - black
- (1) Lite grip lipo pad
- (2) Dquad 150mm lipo strap (small)
- (1) Mini Perfection sticker
- (4) 3m dog bone landing pads
- (1) Front bumper - TPU
- (1) Power wire insert - TPU

For the best flight performance and to prevent premature carbon fiber failure, it is recommended to follow the assembly instructions and to apply medium threadlocker to and adequately tighten all frame bolts.

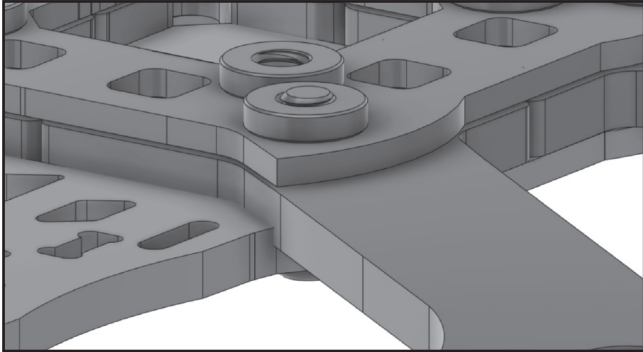
STEP 01

ATTACH THE ARMS TO THE BOTTOM PLATE

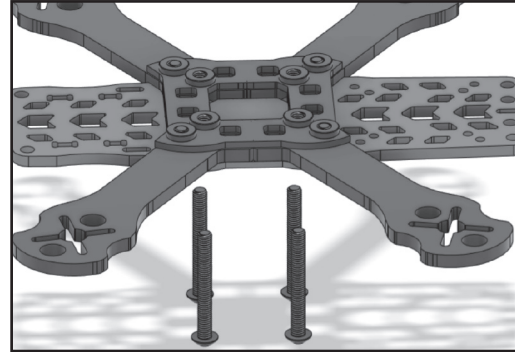
Use the four M3x8mm button head bolts. Add a drop of threadlocker to each bolt and use the outer holes in the bottom plate arm channel. Thread the bolt up through the bottom plate and through the outer hole in the arm. Now screw it into the outer press nut on the squash plate. Leave the bolt slightly loose and repeat the process for each arm. Leave the squash plate slightly loose so the arms can be easily positioned into the arm channel. Evenly tighten the 4 bolts until the arms are fully seated into the arm channel.



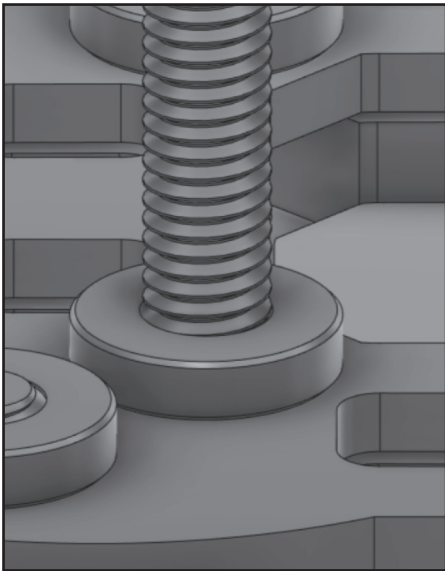
If you are finding it difficult to fully seat an arm, due to carbon fiber manufacturing tolerances it may be necessary to lightly file the edge of the arm where it meets the bottom plate milled channel. After the arms are fully seated into the arm channel you can thread in the four M3x25mm FC stack bolts and tighten them. Now that the arms are seated and the squash plate is tight, apply a drop of threadlocker where the FC bolt threads meet the press nut. Then back each bolt out a couple of turns and then adequately re-tighten them.



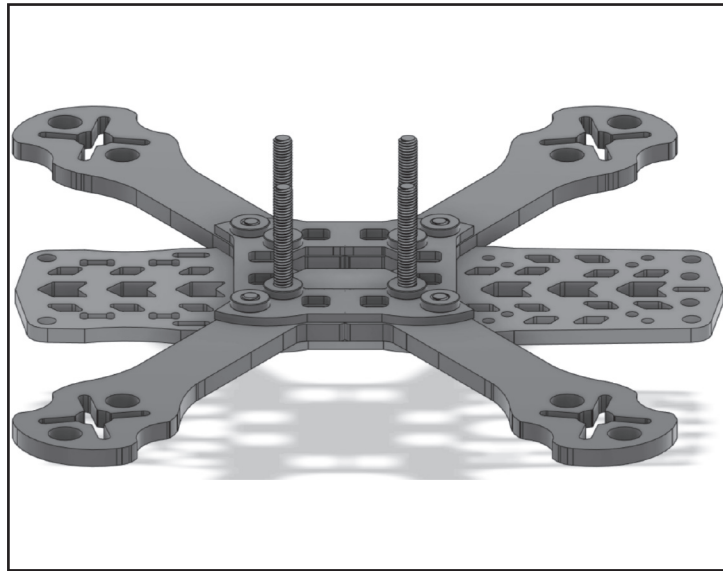
FULLY SEATED ARMS



INSTALL FC STACK BOLTS



APPLY THREADLOCKER

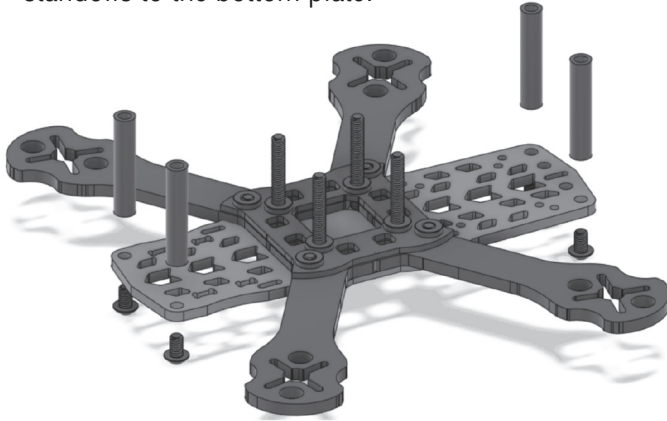


COMPLETED ARM INSTALLATION

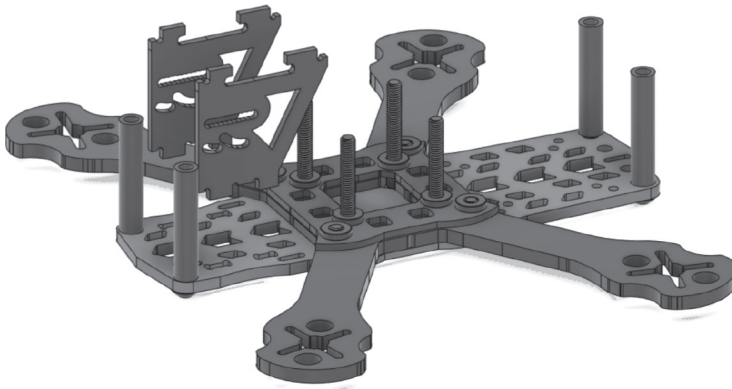
STEP_02

INSTALL STANDOFFS AND CAMERA PLATES

Use four M3x5mm button head bolts. Apply a drop of threadlocker to each and bolt the four aluminum standoffs to the bottom plate.



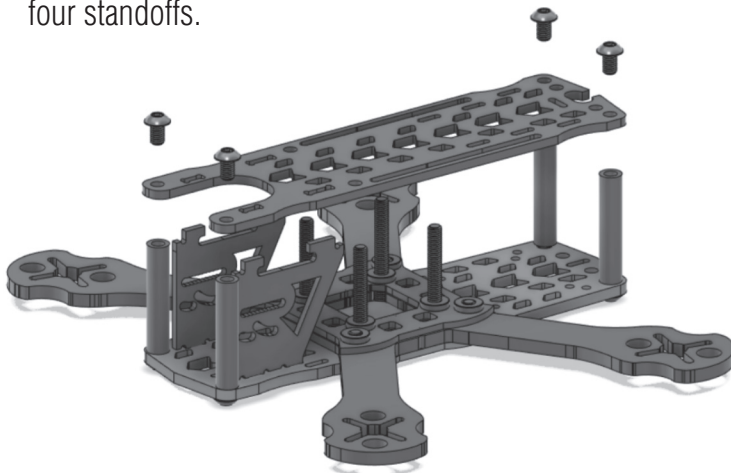
Install the camera plates in the camera slots located on the bottom plate.



STEP_03

INSTALL TOP PLATE

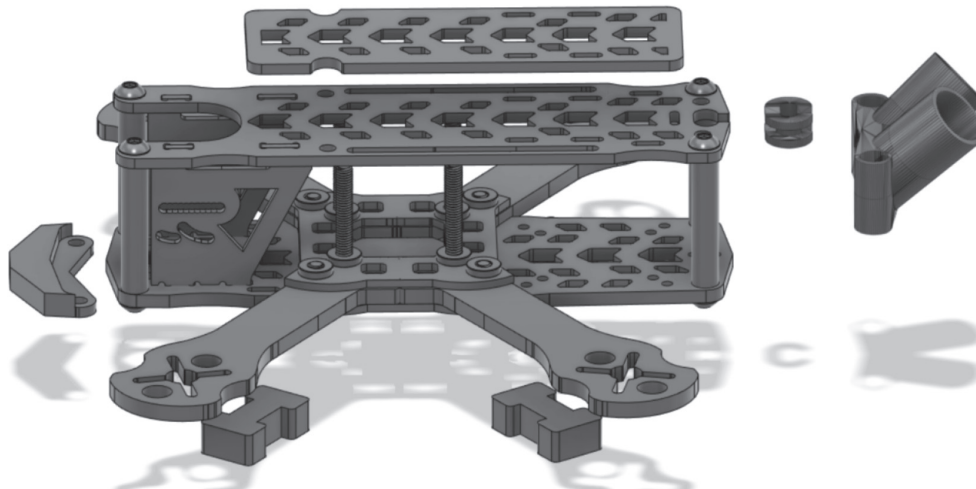
Use four M3x5mm button head bolts. Apply a drop of threadlocker to each and bolt the top plate to the four standoffs.



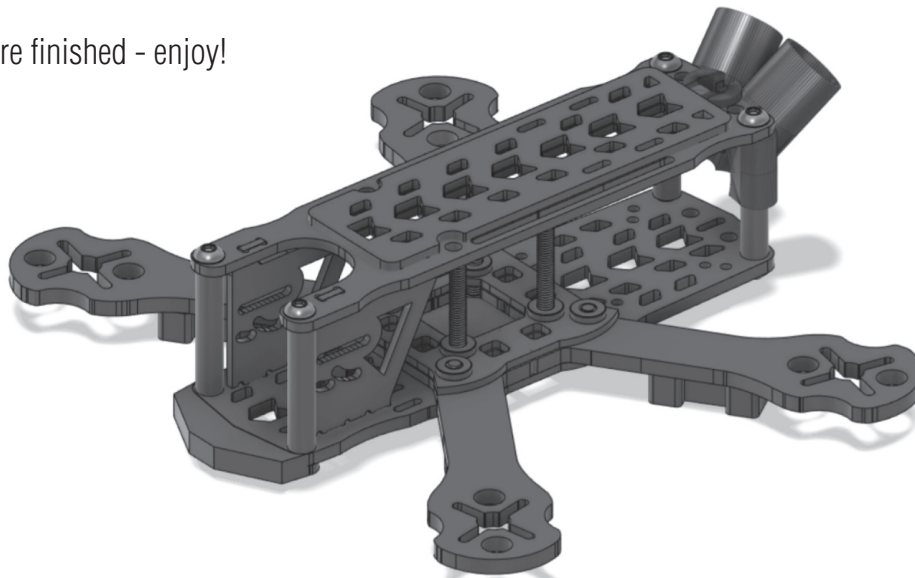
STEP_04

INSTALL ACCESSORIES

You can now install the front bumper, landing pads, power cable insert and the lipo pad. Remove the two rear standoffs and install the VTX antenna mount(sold seperately).



You're finished - enjoy!



- Check out www.dquad.net for over 100 downloadable free 3d files.
- To restore the Lite Grip lipo pad surface to new condition, wipe off with a damp cloth.
- Arm replacement procedure-Remove the M3x8mm bolt from the damaged arm. Slightly loosen the remaining squash plate bolts until the arm is able to be pulled free. There is no need to remove the Flight controller bolts. After the new arm is installed add a drop of threadlock to the bolts and adequately re-tighten them.