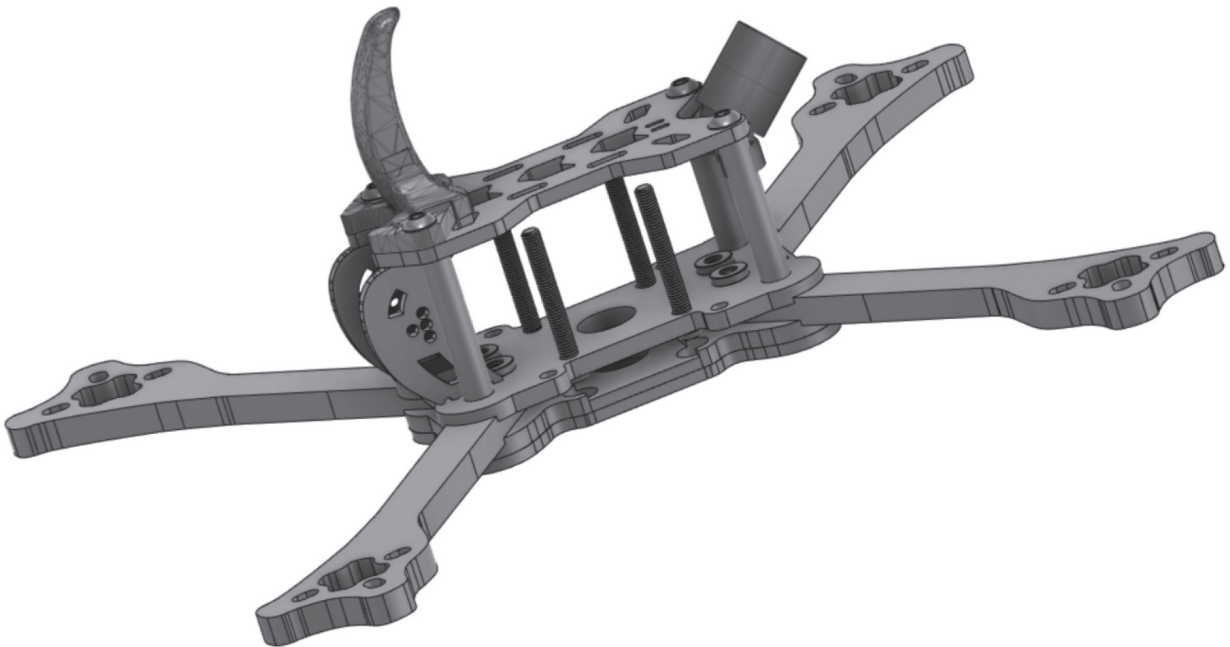


DquadTM Fixation



ASSEMBLY GUIDE

FIXATION 5 INCH ASSEMBLY INSTRUCTIONS

INCLUDED PARTS:

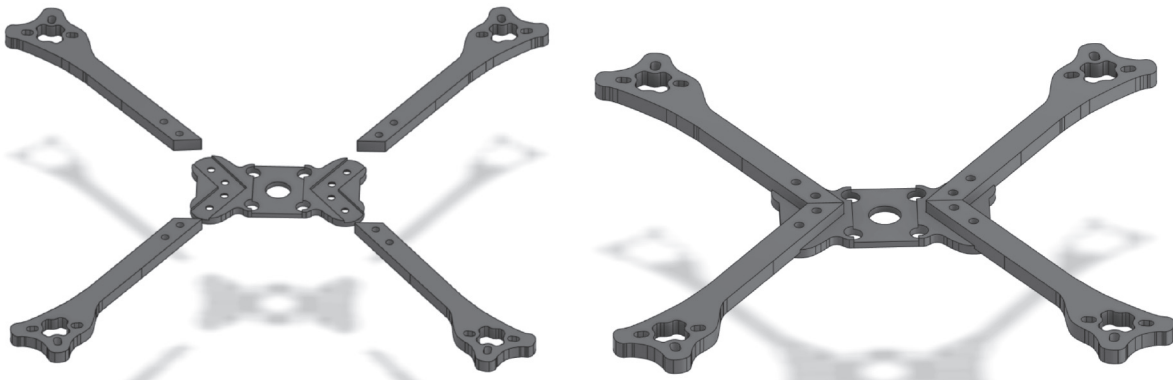
- (4) M3x10mm countersunk titanium bolts
- (4) M3x14mm countersunk titanium bolts
- (4) M3x6mm button head titanium bolts
- (4) M3x25mm button head titanium FC stack bolts
- (12) M3x8mm button head titanium motor bolts
- (4) M3 nylon FC stack nuts
- (1) Large Dquad lipo strap
- (4) M3x25x5mm aluminum standoffs - black
- (1) Lite grip lipo pad
- (1) Fixation sticker
- (1) Bottom plate - 3mm
- (1) Main plate - 20x20 and 30x30 - four press nuts inserted - 3mm
- (2) Camera plates - 2mm
- (4) 5.1 inch arm - 5mm
- (1) Race top plate - 2.5mm
- (1) HDZero top plate - 2mm

For the best flight performance and to prevent premature carbon fiber failure, it is recommended to follow the assembly instructions and to apply medium threadlocker to and adequately tighten all frame bolts.

STEP_01

INSERT THE ARMS INTO THE BOTTOM PLATE ARM CHANNELS

Set the arms in the milled arm channels on the bottom plate. If you are finding it difficult to fully seat an arm, due to carbon fiber manufacturing tolerances it may be necessary to lightly file the edge of the arm where it meets the bottom plate and main plate arm channels.

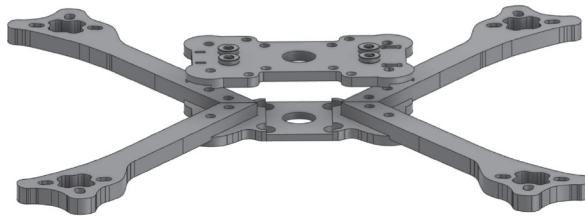


Now take the main plate and test that the arms fit in and seat fully into the main plate arm channels. Lightly file the edge of the arms if necessary.

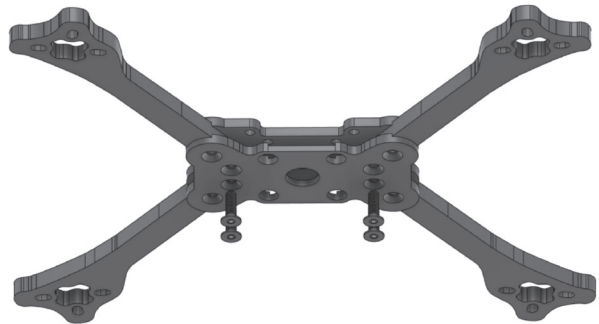
STEP_02

MOUNT THE ARMS TO THE MAIN AND BOTTOM PLATE

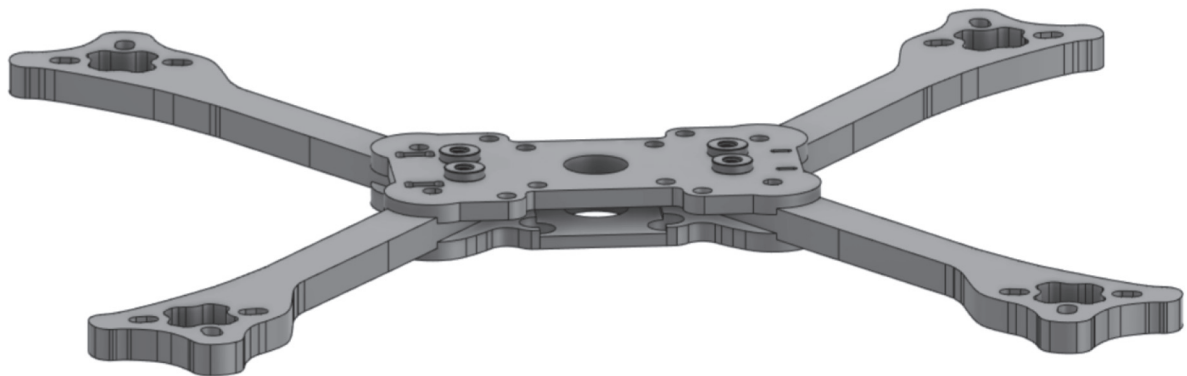
Sandwich the arms between the main and bottom plate. Add a drop of threadlocker and insert the four M3x10mm countersunk bolts through the inner holes on the bottom plate, through the arms and screw them into the four press nuts that are mounted into the main plate.



SANDWICH ARMS BETWEEN PLATES

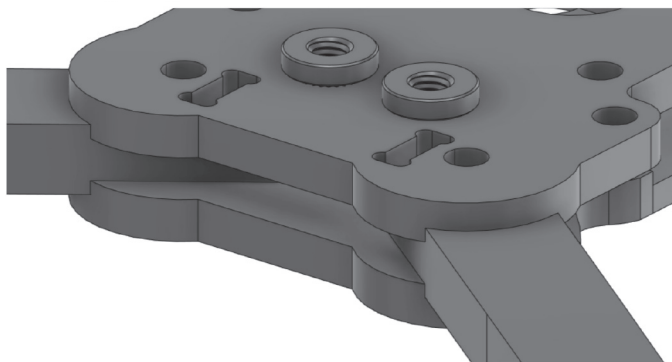


INSERT M3X10MM COUNTERSUNK BOLTS



COMPLETED ARM INSTALLATION

Make sure the arms are fully seated into the main and bottom plate arm channels before going on to the next step.

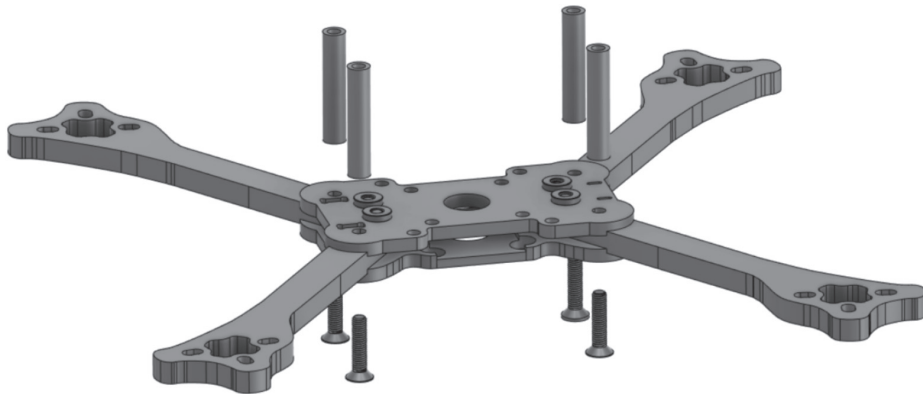


FULLY SEATED ARMS

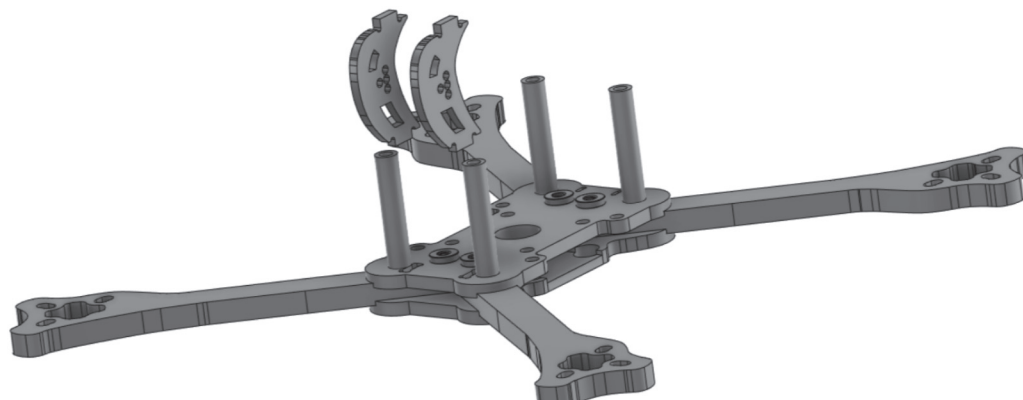
STEP_03

INSTALL STANDOFFS AND CAMERA PLATES

Use four M3x14mm countersunk bolts. Apply a drop of threadlocker to each and bolt the four aluminum standoffs to the main plate.



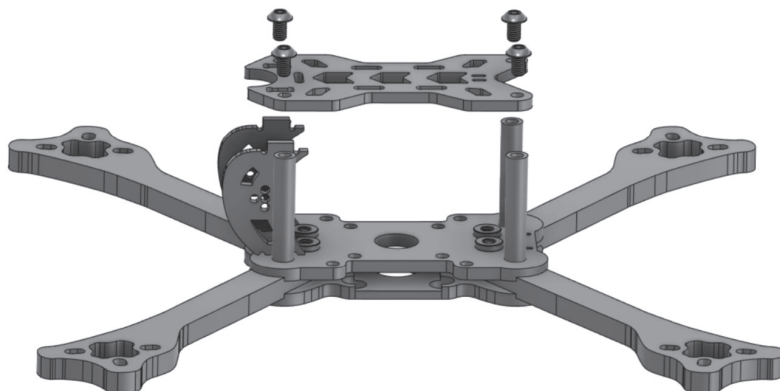
Install the camera plates in the camera slots located on the main plate.



STEP_04

INSTALL TOP PLATE

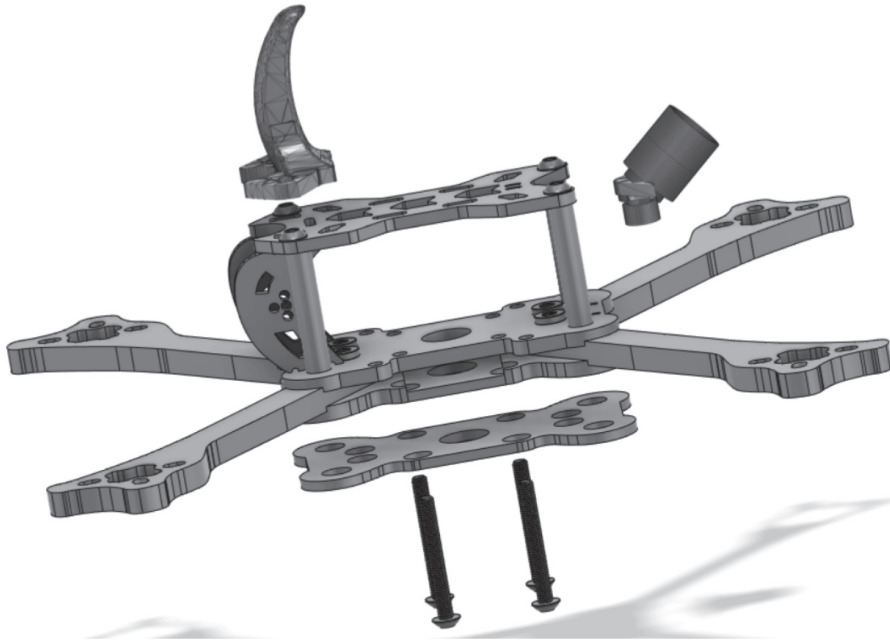
Use four M3x6mm button head bolts. Apply a drop of threadlocker to each and bolt the top plate to the four standoffs.



STEP_05

INSTALL ACCESSORIES

Install four M3x25mm FC bolts, Lite Grip lipo pad and any desired TPU accessories which are available for purchase or free downloadable 3d files on dquad.net.



You're finished - enjoy!

