

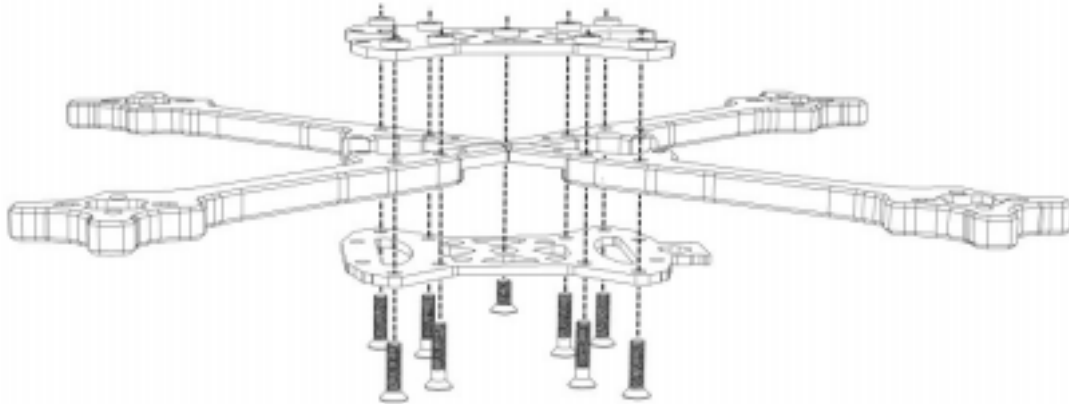
V4 Dquad Addiction - Frame Assembly Manual

New to the Addiction, we took the 5.5 inch arms and chopped them down to 5.1" single arms (no more directional arms) and then widened them at the neck for superior strength. Position the four arms in this configuration and sandwich mount them between the main and bottom plate.



Step 2 – The main plate comes with 9 sunken nuts which have already been pressed in place. Use 4x M3x12mm countersunk bolts for the outer connections. For the inner holes (30.5mm x 30.5mm spacing), use 4x M3x14mm. These stick out a bit so a stack can be mounted on top. We also added 4x 5mm spacers for additional mounting options. To extra secure the arms in the center, an M3x7mm countersunk bolt is used.

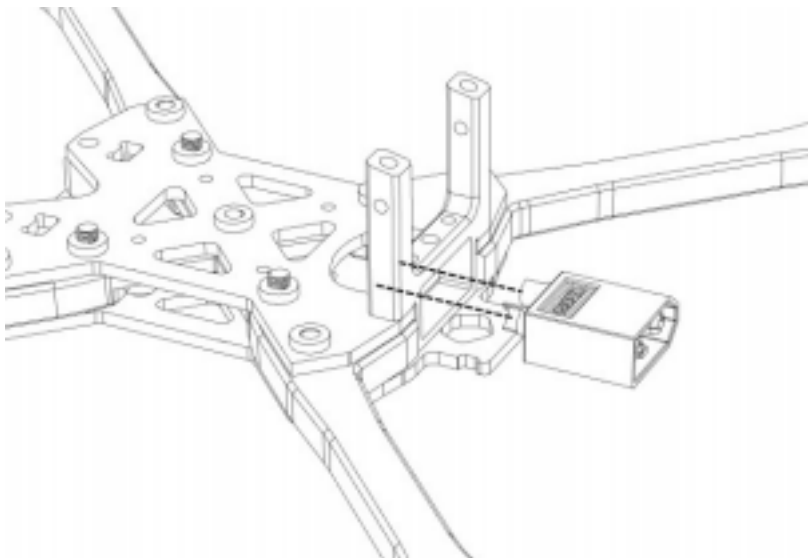
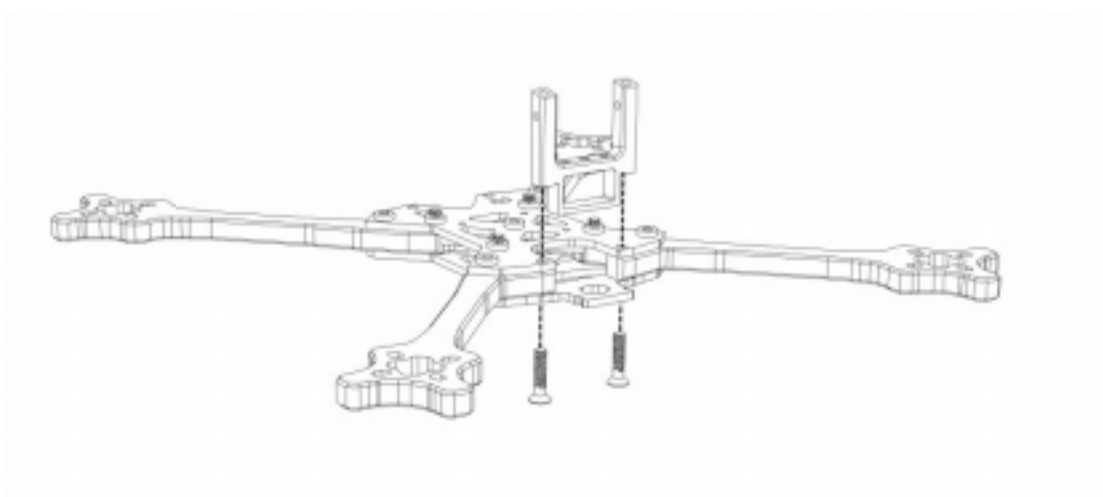
***** Note: it is advised to add a drop of loctite to secure the bolts *****



Dquad Addiction frame

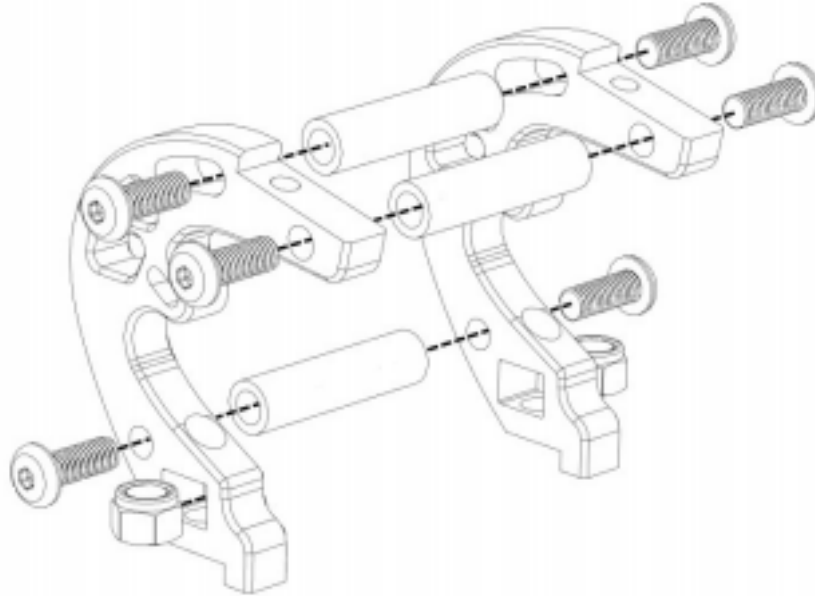
Assembly Manual v4

Step 3 – Attach the rear bracket with 2x M3x14mm countersunk bolts. Then you can slide in the XT60 connector.



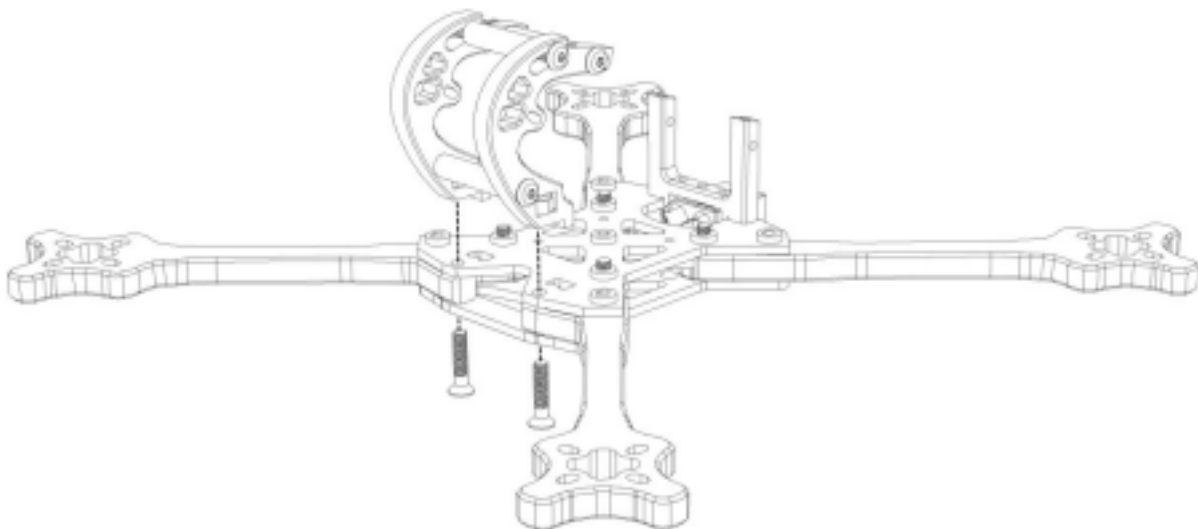
Step 4 – Next step is to assemble the aluminum front brackets and put the camera in between. Use M3x8mm button-head bolts and the supplied M3x19mm standoffs. .
The mounting holes in the brackets are optimized for positioning a micro 19x19mm camera.
The slotted holes allow you to position the camera so that its lens is protected by the brackets.

Put the lock nuts into their chambers. Some force might be needed to put them in. Use a wrench or vise in that case.

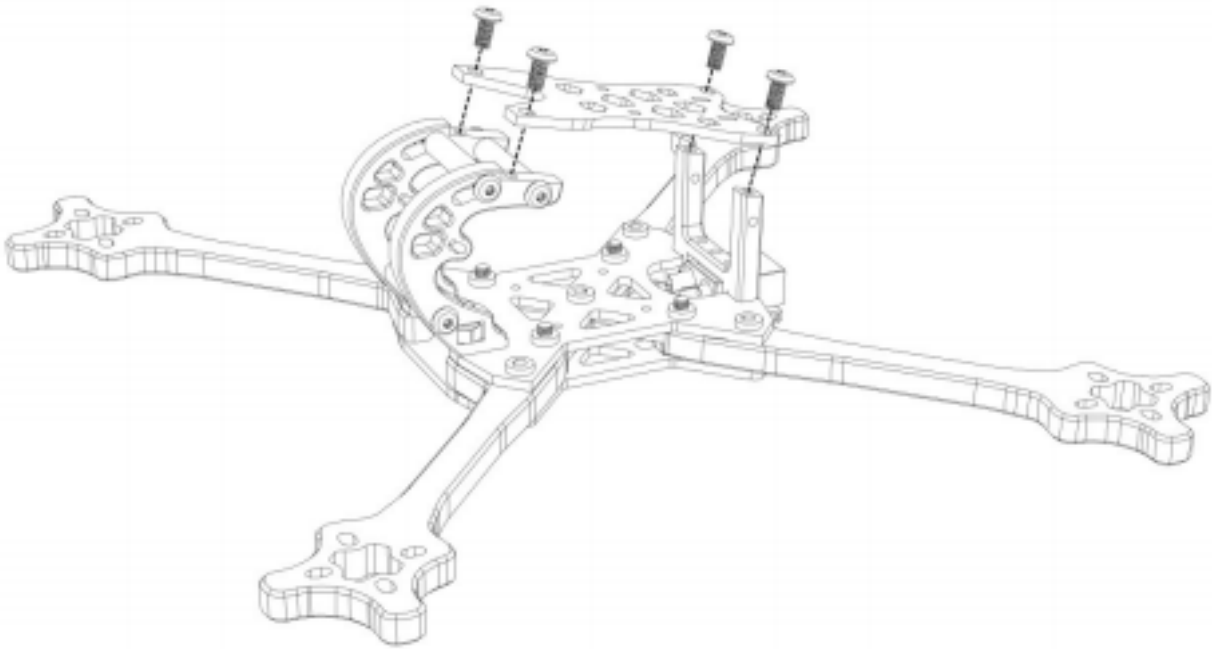


Dquad Addiction frame Assembly Manual v4

Step 5 – Put the front brackets into the slots of the main plate and secure them with 2x M3x18mm countersunk bolts.



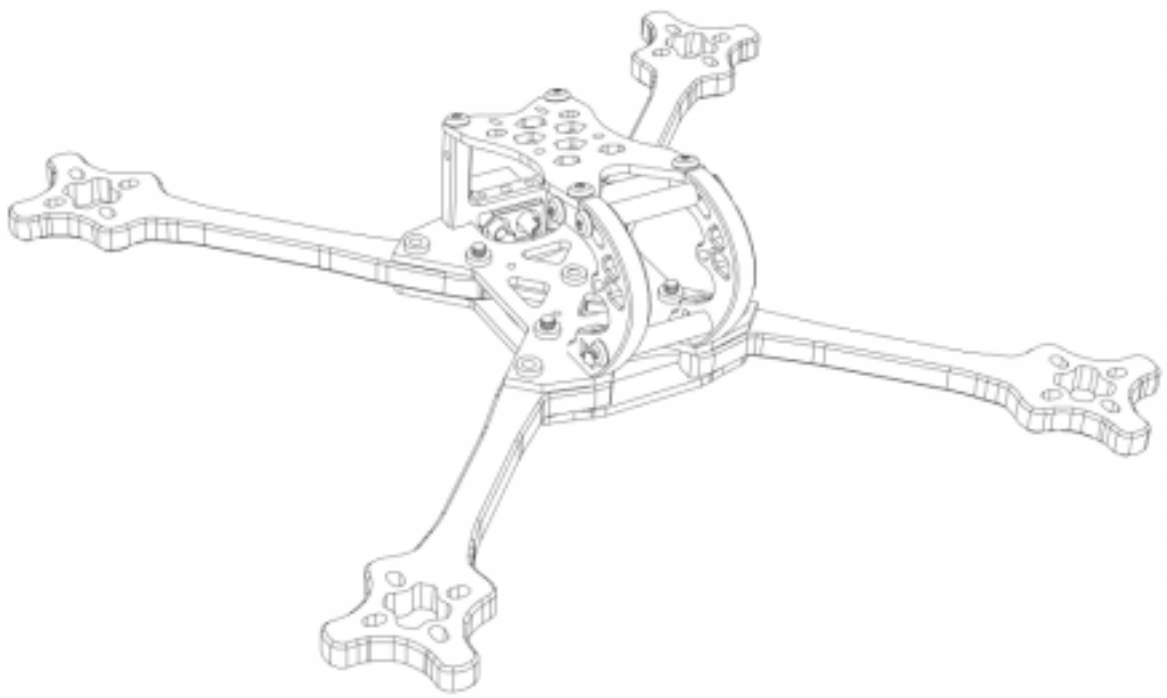
Step 6 – Lastly, put the top plate in place and use 2x M3x6mm for the front holes and 2x M3x4mm for the rear holes.



Dquad



Addiction frame Assembly Manual v4
All done!



Dquad Addiction frame Assembly Manual v4